

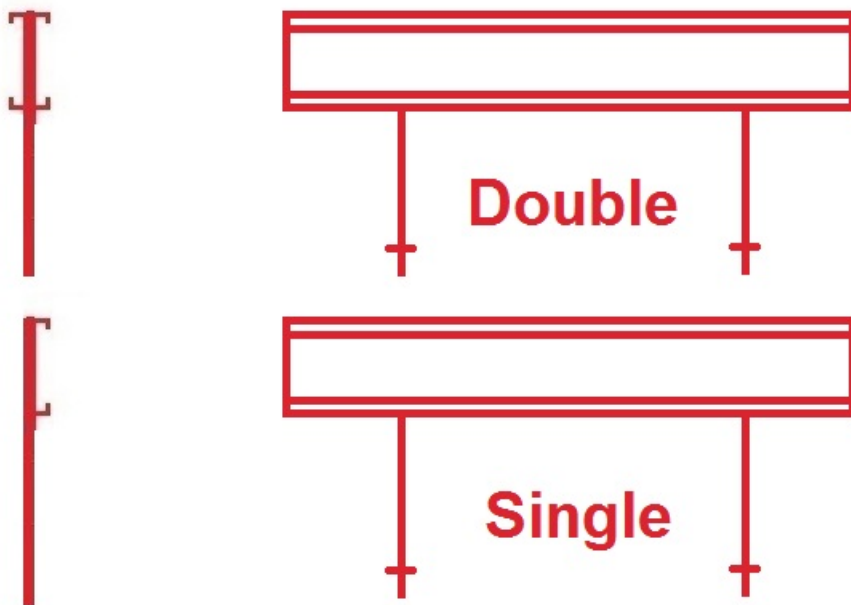
CHILDRENS AUDIO BOOKS



LBS SIGN HOLDER TOPPER

Sign Size: 3" X 36" Nominal
(Sign By Others)

Note: 2 1/2" X 36" Visible





Signage Holders



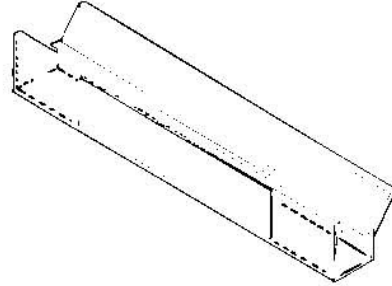
Clip On Shelf Label Holder

Catalog Number

1372

Description

Shelf Label Holder,
Clear Plastic 5" by 3/4" without label
Snap fits to all shelving without screws



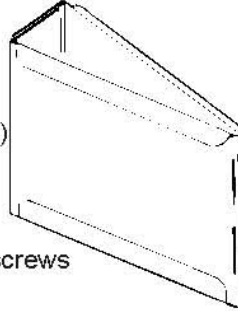
Range Finder

Catalog Number

PC-45509

Description

Clear Coated (-A) or Painted (-B)
Aluminum Range Finder
(For use with Wood, HPL
or Steel End Panels.)
Includes label protector and screws
Size: for 3"H x 5"W cards



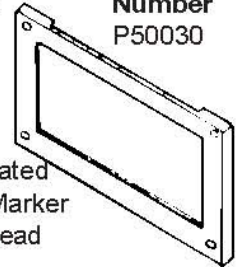
Card Holders

Catalog Number

P50030

Description

Size: For 3" X 5" Card
(-A) Aluminum as shown
Satin Finish - Clear coated
(-B) Painted Steel Aisle Marker
with Reversible Arrowhead



Painted Chrome Card Holders For Single Faced End Panels

Catalog Number

PC 45406

Description

4" x 6"

PC 45409

4" x 9 1/8"

PC 45410

4" x 10 1/8"

PC 45411

4" x 11 1/8"

PC 45413

4" x 13 1/8"

Painted Chrome Card Holders For Double Faced End Panels

Catalog Number

PC 45412

Description

4" x 12"

PC 45416

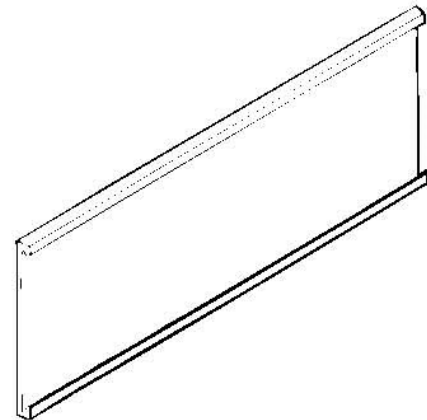
4" x 16 1/2"

PC 45420

4" x 20 1/2"

PC 45424

4" x 24 1/2"



Includes label protector and either mounting screws or double back adhesive tape. Contrasting colors and magnetic pads available as a special.

Canopy Signage

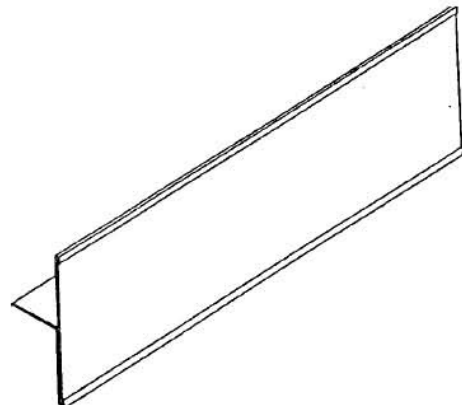
Catalog Number

CS36

Description

3" High x 36" Long

Includes label protector and either mounting screws or double back adhesive tape.



FICTION

LBS

LIBRARY

BUREAU

STEEL